

# B1-L4AD

## 4 Channels Analog Input Module



### Introduction

B1-L4AD is one of the analog input module of FATEK B1 series PLC, it provides 4 channels of 12-bit (coded in 14 bits) analog inputs.

### Specification

#### Analog Output

**Total Channels** : 4 Channel

**Resolution** : 12 bits

**Coding Format** : 14 bits ( 0 ~ 16383)

**Signal Resolution** : 2.44mV(Voltage),  
4.88uA(Current)

**Register Occupied** : 4 Register (D4072~D4075)

**Conversion Time** : Updated each scan

**Accuracy** :  $\pm 1\%$

**Max. Absolute Input Rating** :

$\pm 15\text{V}$ (Voltage), 30mA(Current)

**Input Impedance** : 100K $\Omega$ (Voltage), 125 $\Omega$ (Current)

**Output Range** : 0 ~ 10V(Voltage)

0 ~ +20mA(Current)

**Indicator(s)** : No

**Internal Power Consumption** : 5V, 25mA(Max. Load)

**Operating Temperature** : 0 ~ 60 °C

**Storage Temperature** : -20 ~ 80 °C

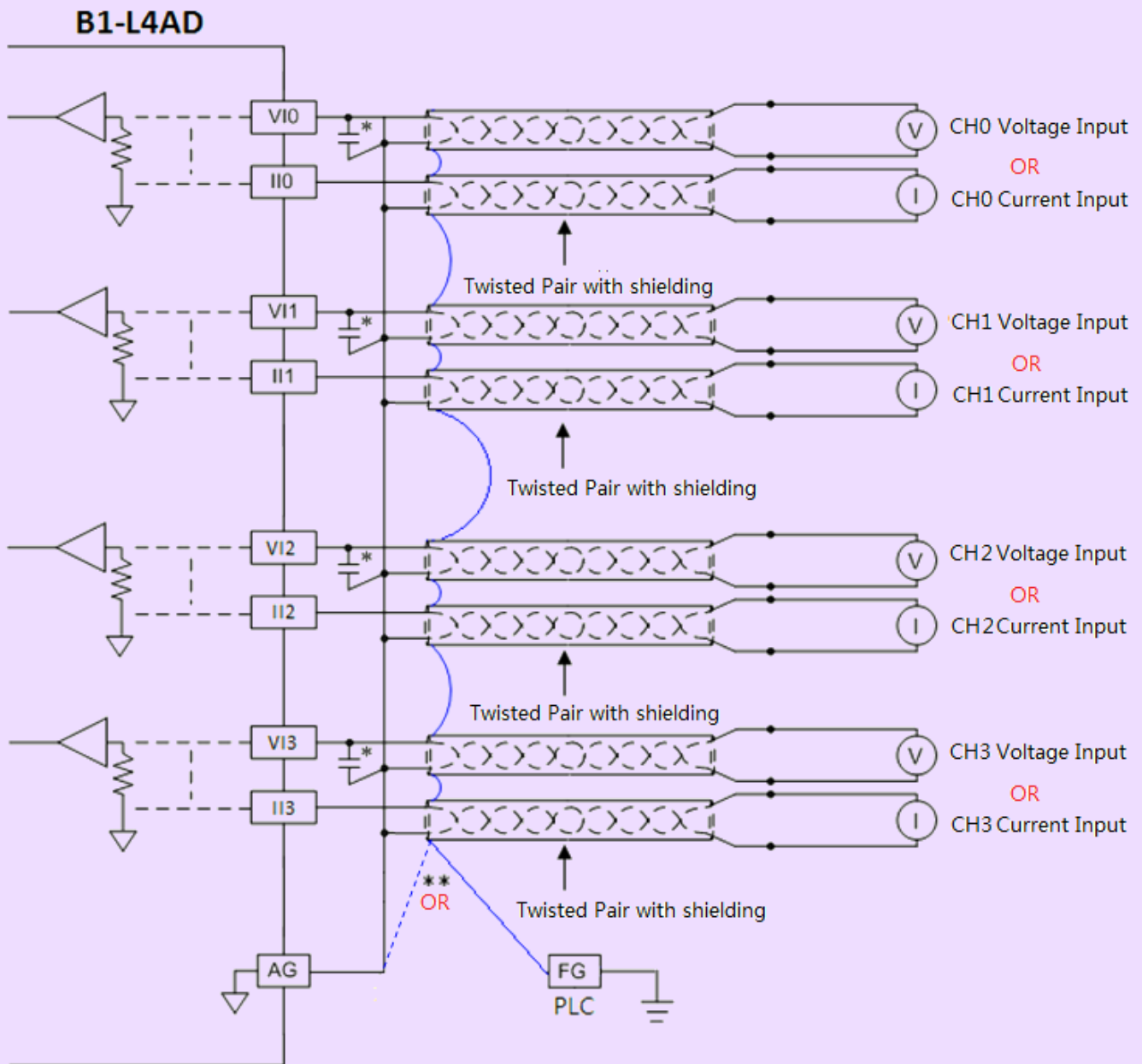
### Pin Diagram



# B1-L4AD

## 4 Channels Analog Input Module

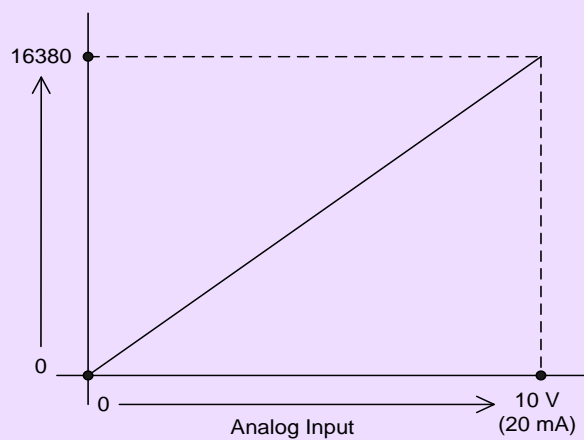
### Wiring Diagram



\* 0.1 ~ 0.47 uF capacitor ( to filter noise ) ..... Advice to install, but not necessary !!

\*\* If you like to have Twisted pair with shielding connect to ground , we suggest you to connect FG of PLC, if you can't connect to the FG of PLC, please connect to AG of module.

### Characteristics Chart



### Registers allocation Map

Channel No.		Mapped Register
Analog Output	CH0	D4072 ( 0 ~ 16383 )
	CH1	D4073 ( 0 ~ 16383 )
	CH2	D4074 ( 0 ~ 16383 )
	CH3	D4075 ( 0 ~ 16383 )